

YA SERIES (IEC Inlet Filters)



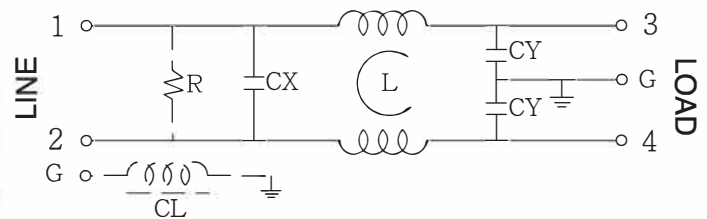
Features

- The YA series filter integrates an IEC inlet and filter with excellent noise suppression performance and compact size.
- The rated current can be offered up to 10 amps.
- Various output selections such as fast-on terminal, solder lug terminal, PCB terminal, and lead wire.
- Low leakage current version upon requested.
- Custom-specific versions are available on request.
- Application for Electrical and electronic equipment, Single-phase power supplies, UPS, Medical equipment, Test and measurement equipment.

Technical Specification

| | |
|------------------------------|-----------------------|
| Rated voltage | 125/250VAC |
| Rated currents | 1 to 10A |
| Operating frequency | 50/60Hz |
| Hipot rating(Line-to-line) | 1450VDC |
| Hipot rating(Line-to-ground) | 2250VDC |
| Operating temperature | -25~+85°C |
| Safety compliance | UL, CSA, VDE, CQC, CE |

Typical electrical schematic



*With optional ground choke and resistor.
 R: 1M ohm
 CL: 100 μ H

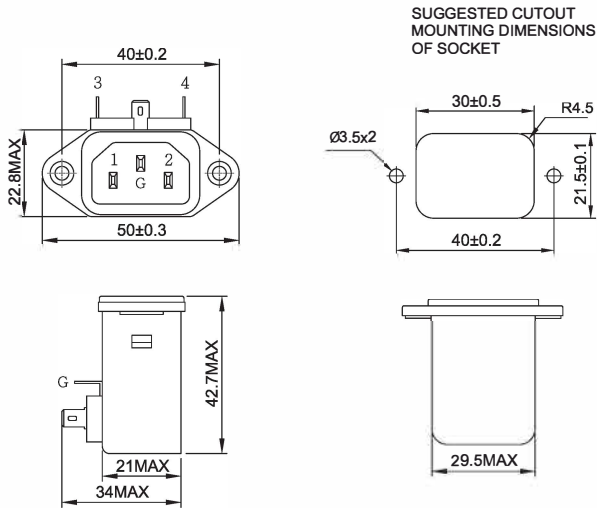
Filter Selection Table

| Part No. | Rated Current A | Inductance L(mH) | Capacitance CX(μ F) | Capacitance CY(pF) | Output connections |
|----------|--------------------|---------------------|-----------------------------|-----------------------|--|
| YA01T1 | 1 | 3.7 | 0.1 | 3300 | Fast-on terminal (optional lead-wire) |
| YA03T1 | 3 | 1.8 | 0.1 | 3300 | |
| YA06T1 | 6 | 0.7 | 0.1 | 3300 | |
| YA10T1 | 10 | 0.3 | 0.1 | 3300 | |
| YA01T3 | 1 | 3.7 | 0.1 | 3300 | Solder lug terminal |
| YA03T3 | 3 | 1.8 | 0.1 | 3300 | |
| YA06T3 | 6 | 0.7 | 0.1 | 3300 | |
| YA10T3 | 10 | 0.3 | 0.1 | 3300 | |
| YA01P | 1 | 3.7 | 0.1 | 3300 | PCB terminal |
| YA03P | 3 | 1.8 | 0.1 | 3300 | |
| YA06P | 6 | 0.7 | 0.1 | 3300 | |
| YA10P | 10 | 0.3 | 0.1 | 3300 | |

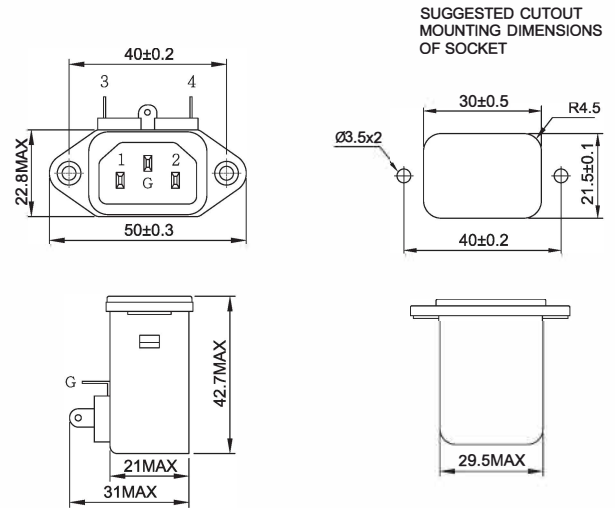
*Please contact us for other parts or spec.

Physical Dimensions: (mm)

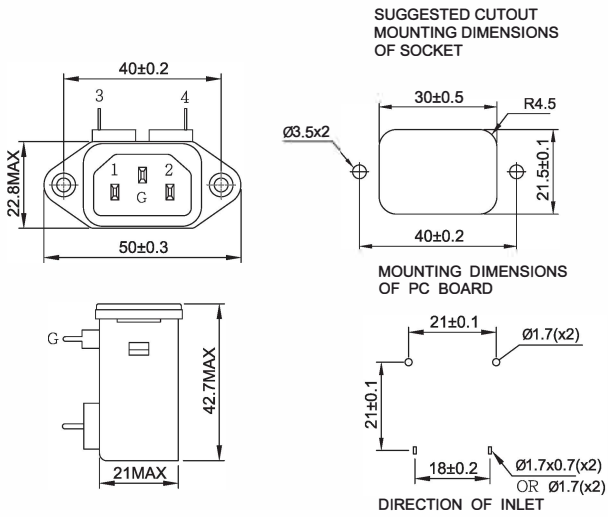
YA-T1



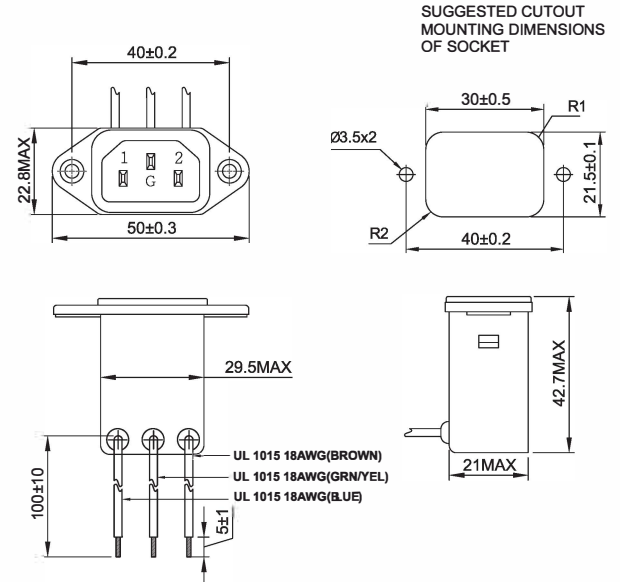
YA-T3



YA-P



YA-T (Lead-wire)



Typical filter attenuation (Common mode — Normal mode —)

