

YE-L2 SERIES (Single Phase Two-Stage Filters)



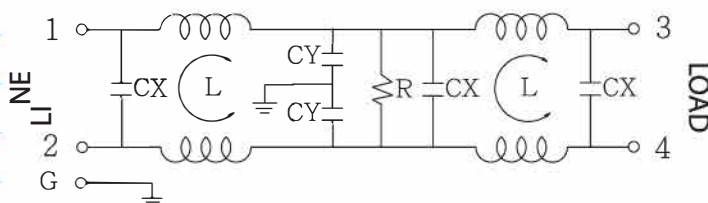
Features

- The YE series is a special designed single phase two-stage filter with both common mode and normal mode performing high noise suppression for most digital electronic equipment.
- The rated current can be offered from 5 to 20 amps.
- Various output selections such as fast-on terminal, M4 screw terminals and lead wire.
- Low leakage current version upon requested.
- Approved by UL, CSA, VDE and CE
- Application for Electrical and electronic equipment, Household equipment, Automation equipment, Fitness machine, Various noisy applications requiring high filter performance
- Custom-specific versions are available on request.

Technical Specification

Rated voltage	125/250VAC
Rated currents	Up to 20A
Operating frequency	50/60Hz
Hipot rating(Line-to-line)	1450VDC
Hipot rating(Line-to-ground)	2250VDC
Operating temperature	-25~+85°C
Safety compliance	UL,CSA,VDE,CE

Typical electrical schematic

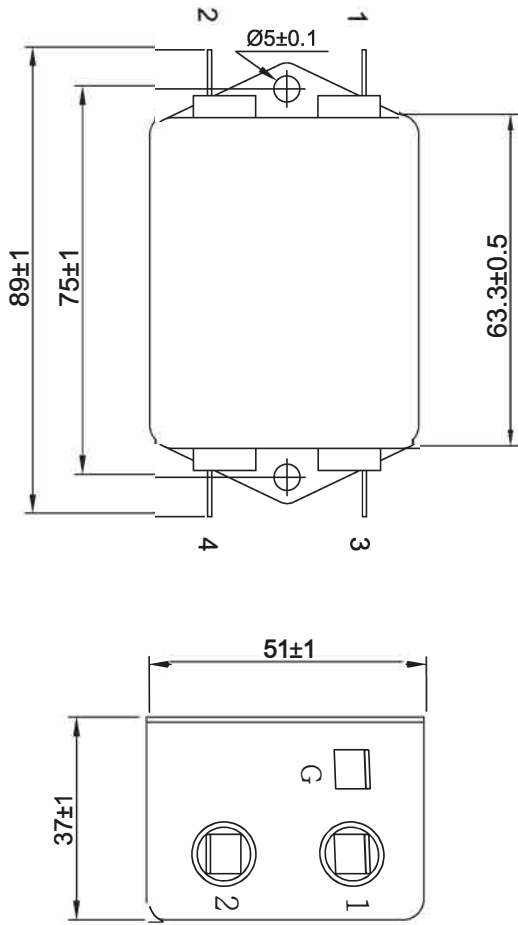


Filter Selection Table

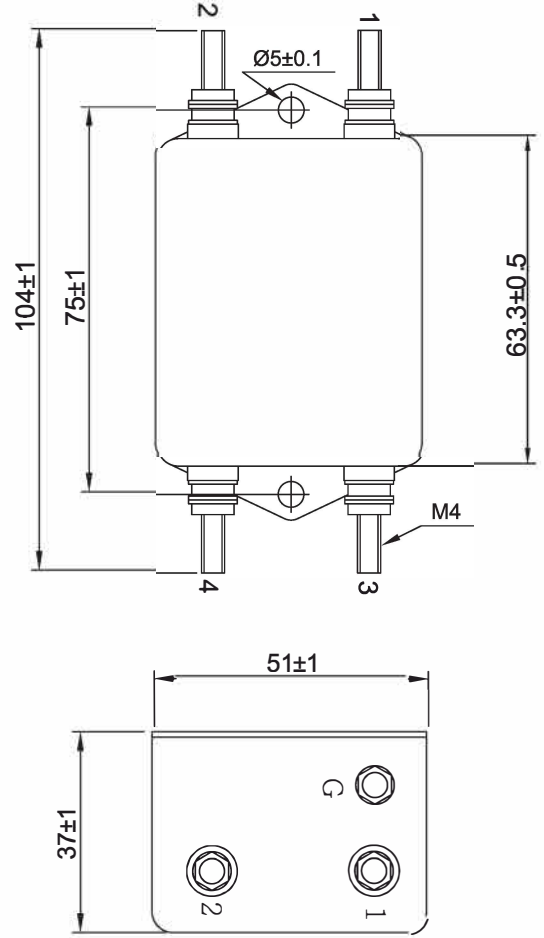
Part No.	Rated Current (A)	Inductance L(mH)	Capacitance CX(μF)	Capacitance CY(pF)	Resistance R(ohm)	Output connections
YE05T1L2	5	5	0.1	3300	10M	Fast-on terminal (optional lead-wire)
YE10T1L2	10	1.2	0.1	3300	10M	
YE15T1L2	15	0.9	0.1	3300	10M	
YE20T1L2	20	0.5	0.1	3300	10M	
YE05T4L2	5	5	0.1	3300	10M	M4 Screw terminals
YE10T4L2	10	1.2	0.1	3300	10M	
YE15T4L2	15	0.9	0.1	3300	10M	
YE20T4L2	20	0.5	0.1	3300	10M	

Physical Dimensions: (mm)

YE-T1L2

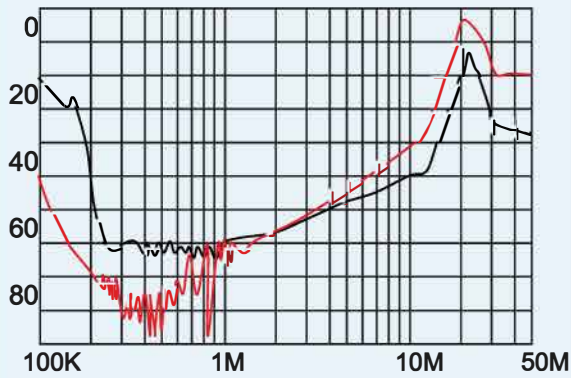


YE-T4L2

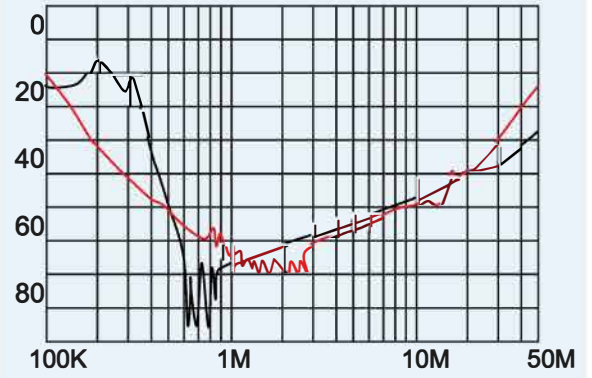


Typical filter attenuation (Common mode \rightarrow Normal mode \rightarrow)

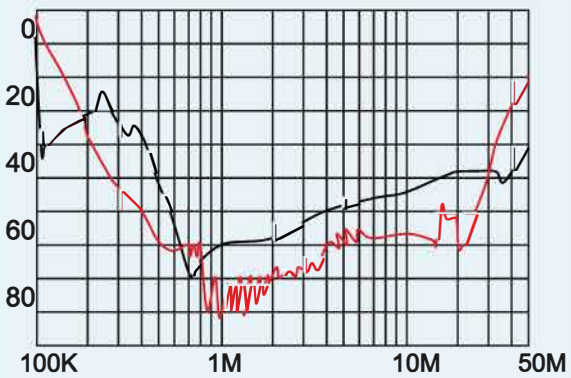
YE05-L2



YE10-L2



YE15-L2



YE20-L2

