

# YM, YMB SERIES (IEC Inlet Filters)



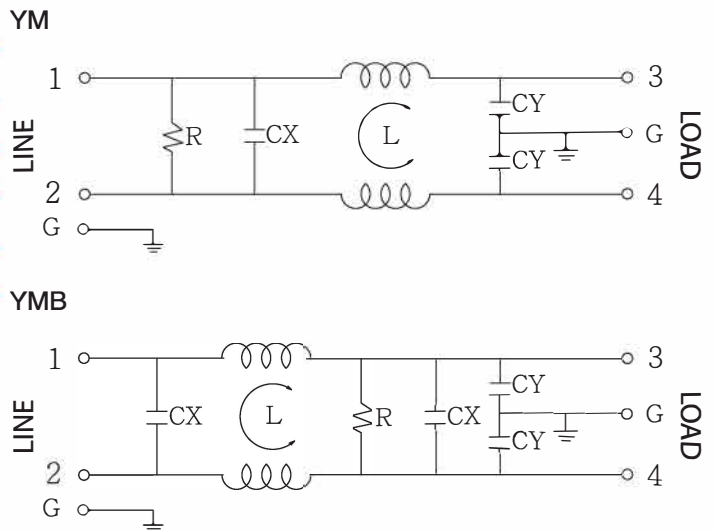
## Features

- General purpose filter providing effective EMI suppression of both line-to-line and line-to-ground noise.
- Low leakage current version upon requested.
- Approved by CE
- YM15T1 is approved by UL.
- Applications comprising Electrical and electronic equipment, UPS, Single-phase power supplies, Power Inverter.
- Custom-specific versions are available on request

## Technical Specification

Rated voltage	125/250VAC
Rated currents	up to 20A
Operating frequency	50/60Hz
Hipot rating(Line-to-line)	1450VDC
Hipot rating(Line-to-ground)	2250VDC
Operating temperature	-25~+85°C
Safety compliance	CE, YM15T1(UL)

## Typical electrical schematic

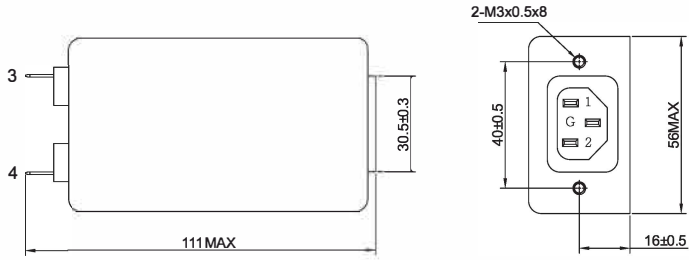


## Filter Selection Table

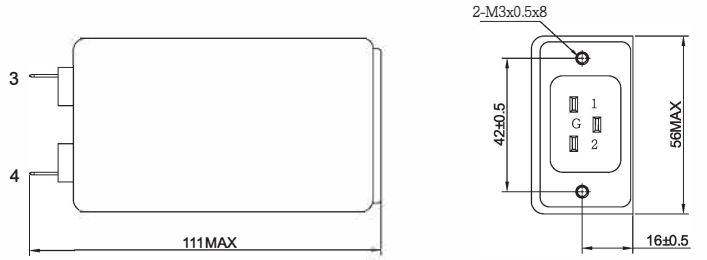
Part No.	Rated Current (A)	Inductance L(mH)	Capacitance CX( $\mu$ F)	Capacitance CY(pF)	Resistance R(ohm)	Output connections
YM15T1	15	3.6	2	10000	200K	Fast-on terminal
YM16T1	16	3.6	2	10000	200K	
YMB10T1	10	4.8	0.33	3300	330K	

# Physical Dimensions: (mm)

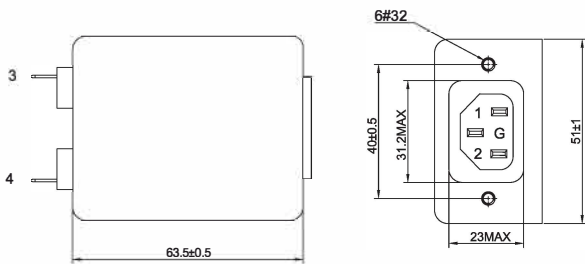
YM15T1



YM16T1



YMB



## Typical filter attenuation (Common mode — Normal mode —)

