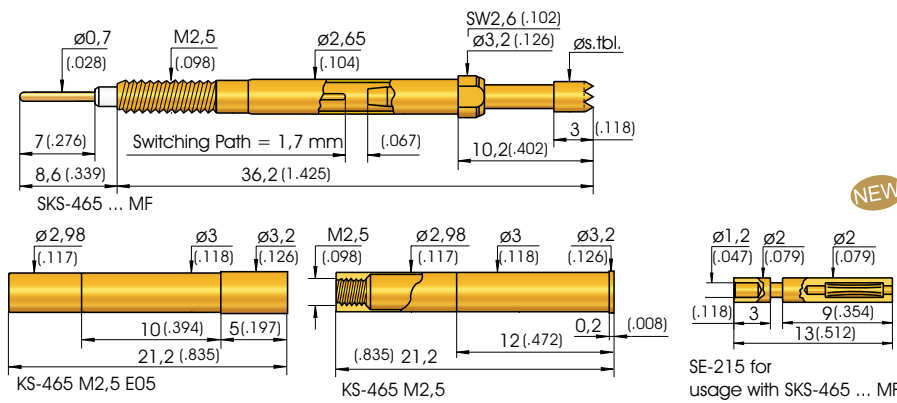


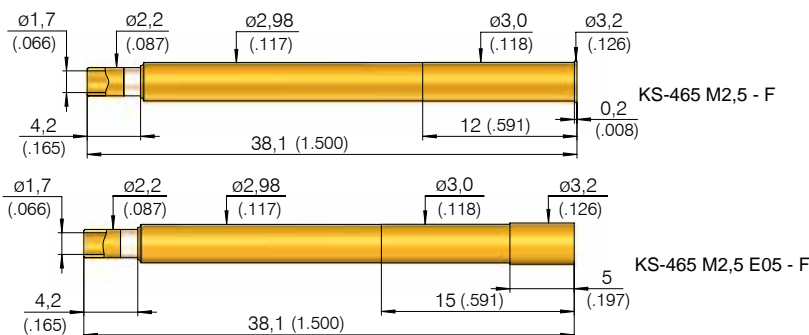
Grid:
 ≥ 3,50 mm
 ≥ 140 Mil

Installation Height: 10,5 - 26,5 mm (.413 - 1.043)
Switching Path: 1,7 mm (.067)

Mounting and Functional Dimensions



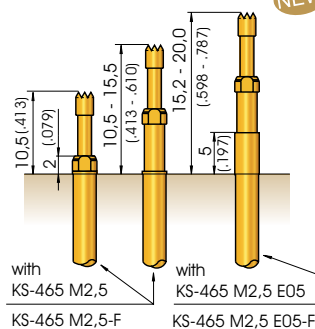
Quick-exchange System



Collar Height and Installation Height

Crimps in the Receptacle prevent the Test Probe from rotating. Different Installation Heights can be variably achieved with different Receptacles.

| Designation of the Receptacle | Install. Heights with Tips 02/03/06 | Install. Height with Tips 53/56 |
|-------------------------------|-------------------------------------|---------------------------------|
| KS-465 M2,5 (-F) | 10,5 - 15,5 mm (.413 - .610) | 17,0 - 22,0 mm (.669 - .866) |
| KS-465 M2,5 E05 (-F) | 15,2 - 20,0 mm (.598 - .787) | 21,7 - 26,5 mm (.854 - 1.043) |



Mechanical Data

Switching Path: 1,7 mm (.067)
 ± 0,3 mm (.012)

Recomm. Work. Stroke: 4,2 mm (.165)

Maximum Stroke: 5,2 mm (.205)

Force at Switching Point: 0,7 N (2.5oz);
 1,8 N (6.5oz); 4,5 N (15oz)

Force at Work. Stroke: 2,0 N (7.2oz);
 3,5 N (12.7oz); 9,0 N (32.5oz)

Electrical Data

Current Rating: 3 A
 (see Page 77)

Materials

Plunger: BeCu, gold-plated
 with or without Insulator Cap

Barrel: Brass, gold-plated

Spring: Stainless Steel

Receptacle: Brass, gold-plated

Insulation: Teflon

Mounting Hole Size

in CEM 1 and FR 4: ∅ 2,98 - 2,99 mm (.1173 - .1177)

The Quick-exchange system „F“ is not compatible with the previous version „S“. This is still available on request.

Available Tip Styles

| Material | Tip Style | Plating | Further Versions | |
|----------|-----------|---------|------------------|------------------|
| | | | ∅ | ∅ (inch) |
| 0 02 | | A | 5,00 2,30 | (.197) (.091) |
| 3 02 | | A | | |
| 3 02 | | A | | |
| 3 03 | | A | | |
| 3 06 | | A | | |
| 3 06 | | A | | |
| 3 06 | | A | 4,00 | (.157) |
| 3 19 | | A | | |
| 3 53* | | A | | |
| 3 56* | | A | | |
| 3 56* | | A | | |
| 3 56* | | A | | |

* Tip Length 9,5 mm (.374)

Quick-exchange Receptacles:

Receptacles with end designation „-F“ are quick-exchange Receptacles. The two wires are soldered to the outside wall of the Receptacle and the central Terminal point. This is done after assembling the Receptacle in the Mounting Hole. The Switching Probe can now be inserted or changed without any further soldering work.

Note:

Probes with Tip Diameter ≤ 3,0 are screwed into KS-465...M using tools, see Page 170/171. Test Probes SKS-465 ... MF with Tip Diameter > 3,0 mm using special tools (special tools on request).
 Recommended Screw-in Torque:
 Min.: 3 Ncm / Max.: 5 Ncm

Ordering Example

| | Series | Tip Material | Tip Style | Tip Diameter (1/100 mm) | Plating | Spring Force at Working Stroke (dN) | Collar Height (mm) | Type |
|----------------|--------|--------------|-----------|-------------------------|---------|-------------------------------------|--------------------|------|
| Test Probe: | SKS | 4 | 65 | 3 | 06 | 230 | A | 20 |
| Receptacles: | KS-465 | M2,5 | (-F) | KS-465 | M2,5 | E05 | (-F) | |
| Lamellar Plug: | SE-215 | | | | | | | |