

# GKS 364

Test Probe with continuous Plunger

## Grid:

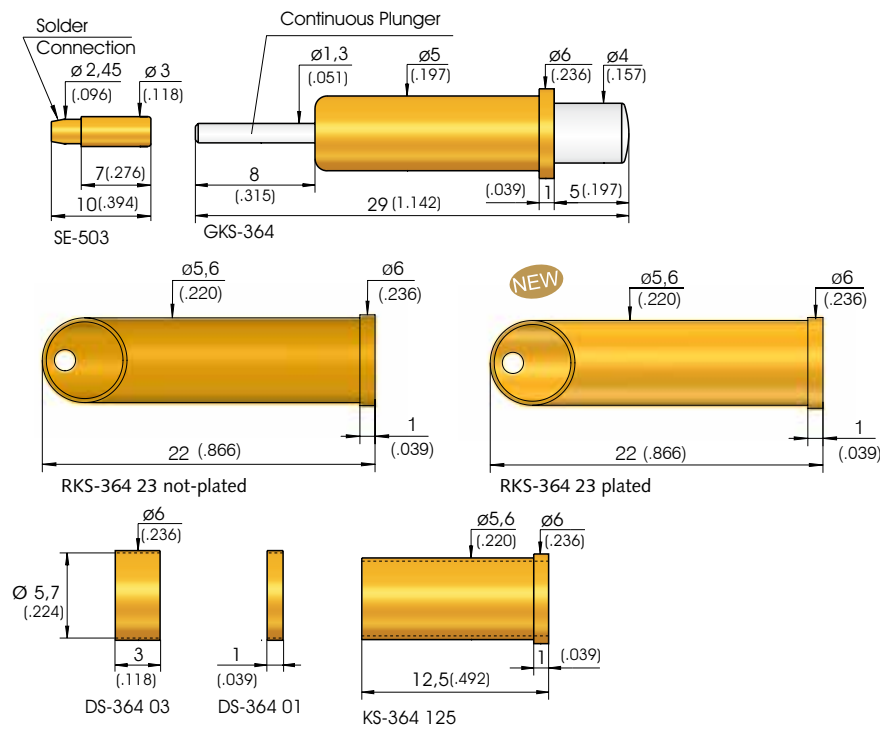
≥ 6,50 mm

≥ 260 Mil

Installation Height: 6,0 mm (.236)

Recommended Stroke: 4,0 mm (.157)

## Mounting and Functional Dimensions



## Available Tip Styles

| Material | Tip Style | Plating | Further Versions          |                      |
|----------|-----------|---------|---------------------------|----------------------|
|          |           |         | $\varnothing$             | $\varnothing$ (inch) |
| 2 01*    |           | N       | $\varnothing 4,00$ (.157) |                      |
| 2 04     |           | N       | $\varnothing 4,00$ (.157) |                      |
| 2 05     |           | N       | $\varnothing 4,00$ (.157) |                      |
| 2 06     |           | N       | $\varnothing 4,00$ (.157) |                      |

\* Angle of Tip 60°

### Mechanical Data

**Working Stroke:** 4,0 mm (.157)

**Maximum Stroke:** 5,0 mm (.197)

**Spring Force at Work. Stroke:** 1,5 N (5.4oz)  
**alternative:** 0,6 N (2.2oz); 3,0 N (10.8oz),  
 8,0 N (28.9oz)

### Electrical Data

**Current Rating, Conn. to Plunger:** 15-20 A

**Current Rating, Connection to KS:** 5 - 8 A

**R<sub>i</sub> typical, Connection to Plunger:** < 10 m $\Omega$

**R<sub>i</sub> typical, Connection to KS:** < 30 m $\Omega$

(\*\* < 100 m $\Omega$ )

### Materials

**Plunger:** Steel, nickel-plated

**Barrel:** Brass, gold-plated

**Spring:** Steel, gold-plated  
 or Stainless Steel\*\*

### Receptacles:

RKS-364 23: Brass, not plated

KS-364 125: Brass, gold-plated

### Mounting Hole Size

**with Receptacle:**  $\varnothing 5,59 - 5,60$  mm  
 (.2201 - .2205)

**without Receptacle:**  $\varnothing 5,00$  mm (.1969)

### Operating Temperature

**Standard:** -40° up to +80° C

**\*\*with 1,5 and 3,0 N-Spring:** -100°

up to +200° C

## Ordering Example

Test Probe:

Receptacles:

Spacer for Receptacle:

Lamellar Plug:

(for plugging onto the end of the Plunger)

