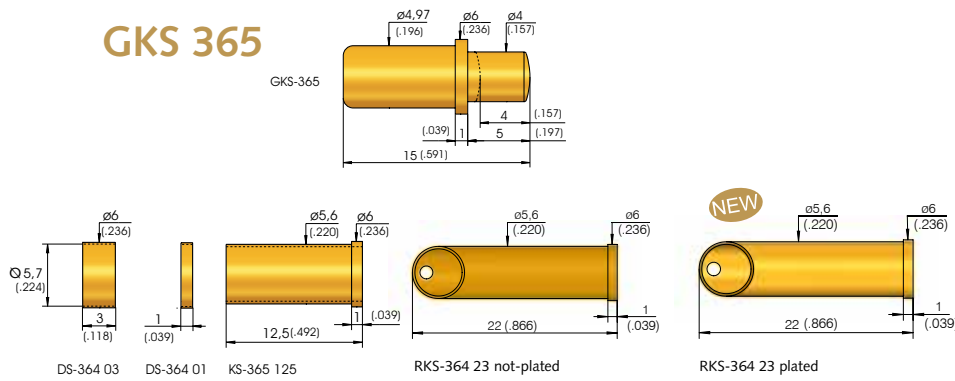


Grid:  
≥ 6,50 mm  
≥ 260 Mil

Installation Height: 6,0 mm (.236) resp. 11,0 mm (.433)  
Recommended Stroke: 3,2 mm (.126) reps. 8,0 mm (.315)

## Mounting and Functional Dimensions

### GKS 365

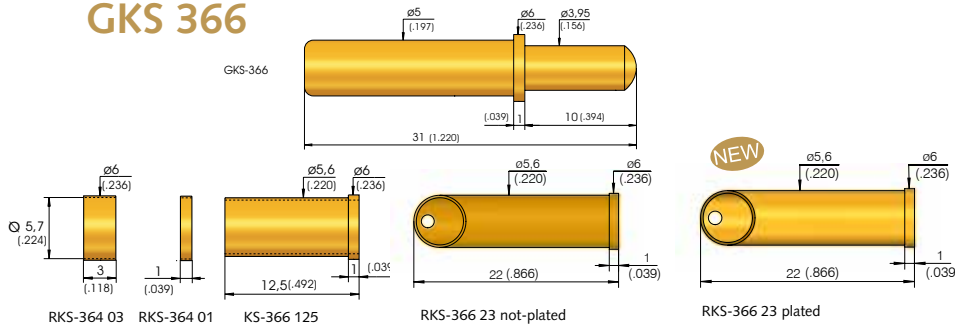


### Available Tip Styles GKS 365

Material	Tip Style	Tip Diameter (mm)	Plating	Further Versions	
				Ø	Ø (inch)
2 04		Ø 4,00 (.157)	N		
1 05		Ø 4,00 (.157)	A		
2 06		Ø 4,00 (.157)	A		
1 13 *		Ø 4,00 (.157)	N		
1 13S **		Ø 4,00 (.157)	A		

\* No radial Forces allowed. Plunger can get stuck  
\*\* Ordering Example: GKS-365 113 400 A xx01 S

### GKS 366



### Available Tip Styles GKS 366

Material	Tip Style	Tip Diameter (mm)	Plating	Further Versions	
				Ø	Ø (inch)
1 05		Ø 4,00 (.157)	N		
3 05		Ø 4,00 (.157)	A		
3 56 *		Ø 4,00 (.157)	A		

\* Total Length = 30 mm, maximum Stroke 9,0 mm

#### Mechanical Data GKS 365

**Working Stroke:** 3,2 mm (.126)  
**Maximum Stroke:** 4,0 mm (.157)  
**Spring Force at Work. Stroke:** 1,5 N (5.4oz)  
**alternative:** 0,6 N (2.2oz); 3,0 N (10.8oz), 4,0 N (14.4oz); 8,0 N (28.9oz)

#### Mechanical Data GKS 366

**Working Stroke:** 8,0 mm (.315)  
**Maximum Stroke:** 10,0 mm (.394)  
**Spring Force at Work. Stroke:** 1,5 N (5.4oz)  
**alternative:** 3,0 N (10.8oz); 6,0 N (21.6oz); 8,0 N (28.9oz); 16,0 N (57.5oz)

#### Electrical Data

**Current Rating:** 5 - 8 A  
**R<sub>i</sub> typical:** < 30 mΩ (\*\* < 100 mΩ)

#### Materials

**Plunger:** Brass or Steel, gold- or nickel-plated  
**Barrel:** Brass, gold-plated  
**Spring:** Steel, gold-plated or Stainless Steel\*\*

#### Receptacle for GKS-365:

RKS-365 23: Brass, not plated  
KS-365 125: Brass, gold-plated

#### Receptacle for GKS-366:

RKS-364 23: Brass, not plated  
KS-364 125: Brass, gold-plated

#### Operating Temperature

**Standard:** -40° up to +80° C  
**\*\*with 8,0 N-Spring:** -100° up to +200° C (GKS-365)

#### Mounting Hole Size

**with Receptacle:** Ø 5,59 - 5,60 mm (.2201 - .2205)  
**without Receptacle for GKS-365:** Ø 4,97 mm (.1957)

#### without Receptacle for GKS-366:

Ø 5,00 mm (.1969)

#### Note:

Other comparable Versions on request.

## Ordering Example

Series	Tip Material 1 = Brass 2 = Steel	Tip Style	Tip Diameter (1/100 mm)	Plating A = Gold N = Nickel	Spring Force (dN)	Collar Height (mm)	Special Designation "S"
Test Probe:	G K S	3 6 5	1 0 5	4 0 0	A	1 5	0 1
Test Probe:	G K S	3 6 6	1 0 5	4 0 0	N	1 5	0 1
Receptacles for GKS-365:	R K S - 3 6 5	2 3	K S - 3 6 5	1 2 5		K S - 3 6 5	2 3
Receptacles for GKS-366:	R K S - 3 6 6	2 3	K S - 3 6 6	1 2 5		K S - 3 6 6	2 3
Spacer for Receptacle:	D S - 3 6 4	0 1	D S - 3 6 4	0 3			

e-type® Probes  
ICT / FCT  
Bead Probes  
Fine Pitch  
Metric Stand.  
Solderable  
Short-stroke  
Flying Probes  
DKS  
SKS  
PKS / PSK  
RF / Dipole Test Probes  
HSS  
Fixture customizing  
Tools  
Cable Test Probes