

Note:
GKS-761 ... M will be screwed into Receptacle KS-761 60 35 M-R; using special tools (see Page 170/171).

Recommended Screw-in Torque:
Min.: 3 Ncm / Max.: 5 Ncm

GKS 761 M

Grid:
≥ 2,54 mm
≥ 100 Mil

Installation Height: 2,6 mm (.102) resp. 2,8 mm (.110)
Recommended Stroke: 1,0 mm (.039)

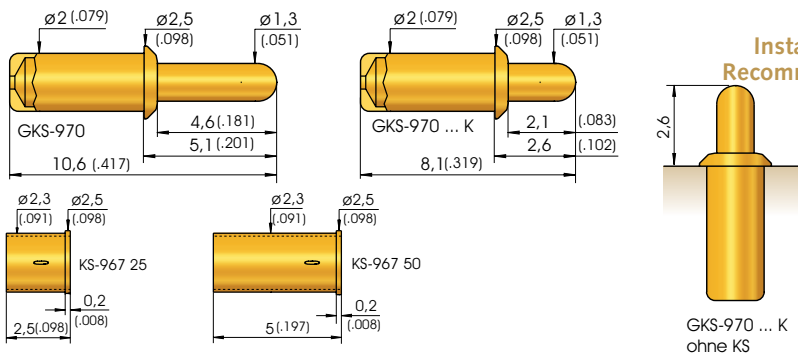
Available Tip Styles

Material	Tip Style	Plating	Further Versions	
			∅	∅ (inch)
3 05		A	∅ 0,80 (.032)	

GKS 970

Grid:
≥ 3 mm
≥ 120 Mil

Installation Height: 2,6 mm (.102) bzw. 5,1 mm (.201)
Recommended Stroke: 1,0 mm (.039) bzw. 2,8 mm (.110)



GKS-970 ... K ohne KS

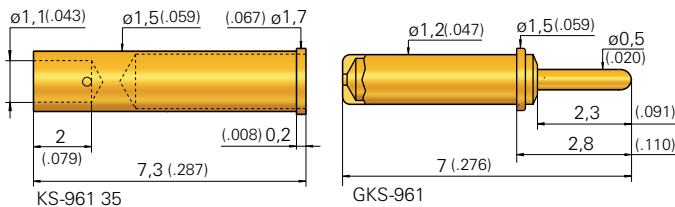
Available Tip Styles

Material	Tip Style	Plating	Further Versions	
			∅	∅ (inch)
3 05		A	∅ 1,30 (.051)	

GKS 961

Grid:
≥ 1,91 mm
≥ 75 Mil

Installation Height: 2,8 mm (.110)
Recommended Stroke: 1,0 mm (.039)



Available Tip Styles

Material	Tip Style	Plating	Further Versions	
			∅	∅ (inch)
3 05		A	∅ 0,50 (.020)	

Mechanical Data		GKS 761 M		Mechanical Data		GKS 961		Mechanical Data		GKS 970 (970...K)	
Working Stroke:		1,0 mm (.039)		Working Stroke:		1,0 mm (.039)		Work. Stroke:		2,8 mm (.110) (1,0 mm(.039))	
Maximum Stroke:		1,2 mm (.047)		Maximum Stroke:		1,3 mm (.051)		Max. Stroke:		3,3 mm (.130) (1,7 mm (.067))	
Spring Force at Work.Stroke:		1,0 N (3.6oz)		Spring Force at Work.Stroke:		0,6 N (2.2oz)		Spring Force at Work.Stroke:		1,0 N (3.6oz); 2,0 N (7.2oz); (2,0 N (7.2oz))	
Electrical Data		GKS 761 M		Electrical Data		GKS 961		Electrical Data		GKS 970	
Current Rating:		5 A		Current Rating:		2 A		Current Rating:		5 - 8 A	
R_j typical:		< 20 mΩ		R_j typical:		< 100 mΩ		R_j typical:		< 20 mΩ * < 100 mΩ	
Materials		GKS 761 M		Materials		GKS 961		Materials		GKS 970	
Plunger:		BeCu, gold-plated		Plunger:		BeCu, gold-plated		Plunger:		BeCu, gold-plated	
Barrel:		Brass, gold-plated		Barrel:		Brass, gold-plated		Barrel:		Brass, gold-plated	
Spring:		Steel, gold-plated		Spring:		Stainless Steel, gold-plated		Spring:		Stainless Steel, Steel, gold-plated	
Receptacle:		Brass, gold-plated		Receptacle:		Brass, gold-plated		Receptacle:		Brass, gold-plated	
Mounting Hole Size		GKS 761 M		Mounting Hole Size		GKS 961		Mounting Hole Size		GKS 970	
in CEM1 and FR4				in CEM1 and FR4				in CEM1 and FR4			
with KS-761 60 35 M-R		∅ 2,00 - 2,02 mm (.0787 - .0866)		with Receptacle:		∅ 1,49 - 1,50 mm (.0587 - .0591)		with Receptacle:		∅ 2,28 - 2,29 mm (.0898 - .0902)	
				without Receptacle:		∅ 1,2 mm (.0472)		without Receptacle:		∅ 2,0 mm (.0787)	
Operating Temperature		GKS 761 M		Operating Temperature		GKS 961		Operating Temperature		GKS 970	
Standard:		-40° up to +80° C		Standard:		-100° up to +200° C		Standard:		-40° up to +80° C *with Special Designation „C“: -100° up to +200° C (1,0 N; 2,0 N)	

e-type® Probes
ICT / FCT
Bead Probes
Fine Pitch
Metric Stand.
Solderable
Short-stroke
Flying Probes
DKS
SKS
PKS / PSK
RF / Dipole Test Probes
HSS
Fixture customizing
Tools
Cable Test Probes