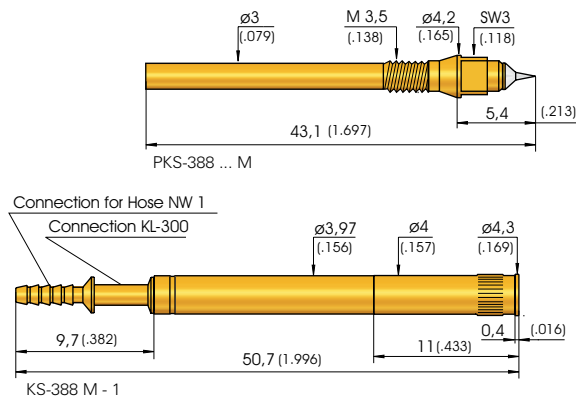


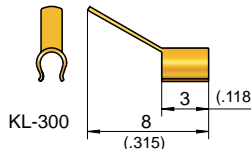
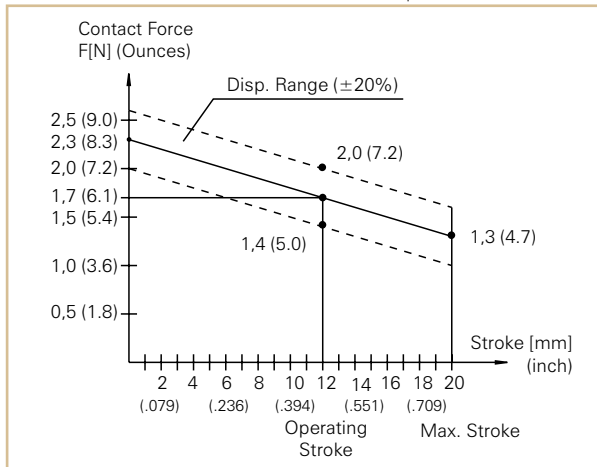
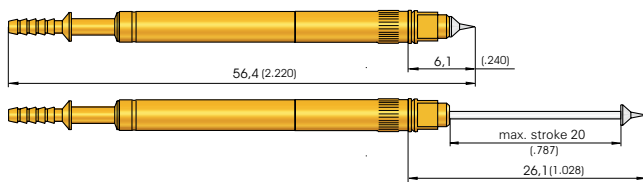
Grid:
 ≥ 5,08 mm
 ≥ 200 Mil

Installation Height (with KS): 6,1 mm (.240)
Recommended Stroke: 12,0 mm (.472)

Mounting and Functional Dimensions



Assembly PKS-388 M in KS-388 M-1



Available Tip Styles

Material	Tip Style	Plating	Further Versions	
			∅	∅ (inch)
2	01**	R	∅ 2,00 (.079)	
3	02	A	∅ 2,50 (.098)	
2	04**	R	∅ 1,30 (.051)	2,00 (.079)
2	15**	A	∅ 2,00 (.079)	

* pressed-in HM-Tip, Installation Height with KS: 7,1 mm (.280)
 ** Collar Diameter: 2,0 mm (.0799)

Available Tip Styles

Special Versions without Collar

Material	Tip Style	Plating	Further Versions	
			∅	∅ (inch)
2	01***	R	∅ 1,50 (.059)	
2	04***	R	∅ 1,50 (.059)	
3	05***	A	∅ 1,30 (.051)	

*** Shaft Diameter 1,50 mm (.059)

Note:

Electrical and pneumatic connections are carried out only once at the time of customizing. The exchangeable unit PKS-388 M is screwed into the ready wired and pneumatically connected up Receptacle KS-388 M-1. The Test Probe can be changed from above. The Test Fixture must not be opened. The wiring and pneumatic connections are not affected.

Note:

Pneumatic Accessories and general Instructions see Page 94/95.

Note to PKS-388 and KS-388 M-1:

PKS-388 are screwed into KS-388 M-1 using special tools (see Page 170/171).

Recommended Screw-in Torque: Min.: 10 Ncm / Max.: 20 Ncm

Mechanical Data

Working Stroke: 12,0 mm (.472)
Maximum Stroke: 20,0 mm (.787)
Cont. Force at Work. Stroke: 1,7 N (6.1oz)
Operating Medium: Compressed Air (filtered, oil-free)
Operating Pressure: 6 bar (86 psi)

Materials

Plunger: Steel or BeCu, rhodium- or gold-plated
Barrel: Brass, gold-plated
Restoring Spring: Steel, gold-plated
Receptacle: Brass, gold-plated
O-Rings: Perbunan

Electrical Data

Current Rating: 2 - 3 A
R_i typical: < 30 mΩ

Mounting Hole Size

in CEM 1 and FR 4: ∅ 4,00 - 4,02 mm (.1575 - .1583)

Ordering Example

Series	Tip Material 2 = Steel 3 = BeCu	Tip Style	Tip Diameter (1/100 mm)	Plating A = Gold R = Rhodium	Spring Force (dN)	Collar Height (mm)	Type
--------	---------------------------------------	-----------	----------------------------	------------------------------------	----------------------	-----------------------	------

Test Probe:

PKS 388 2 01 200 R 17 02 M

Receptacle for PKS-388:

KS - 388 M - 1

Clip Connection with Solder Terminal for KS-388:

KL - 300